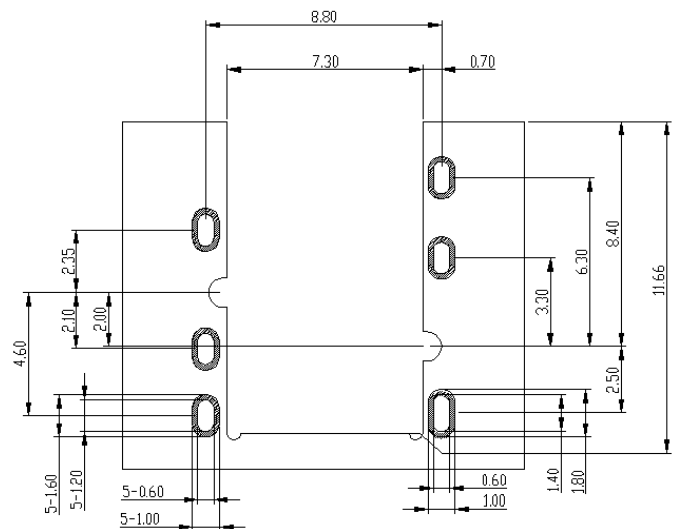
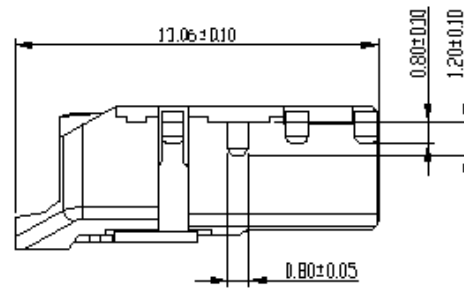
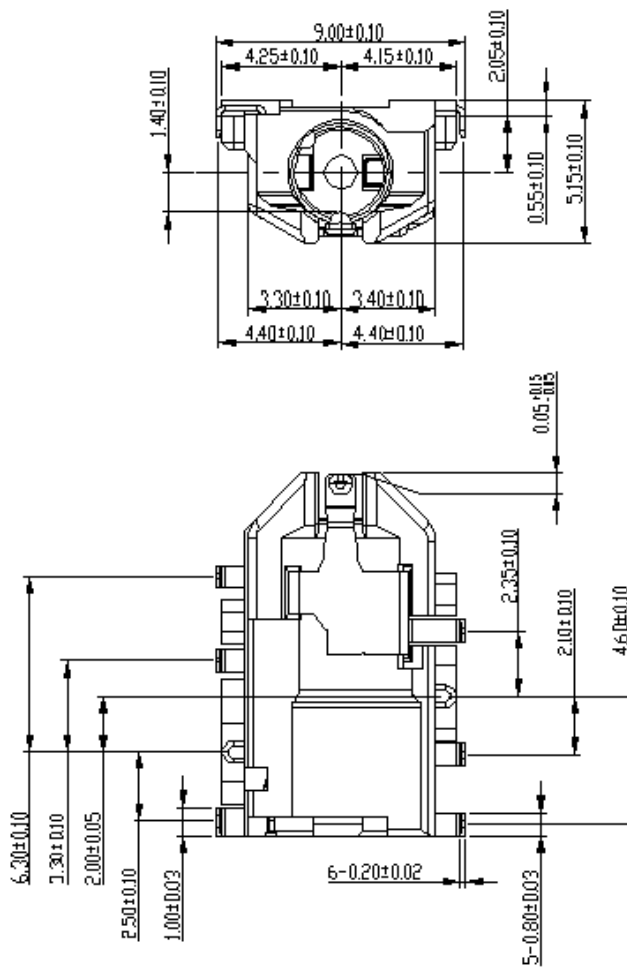
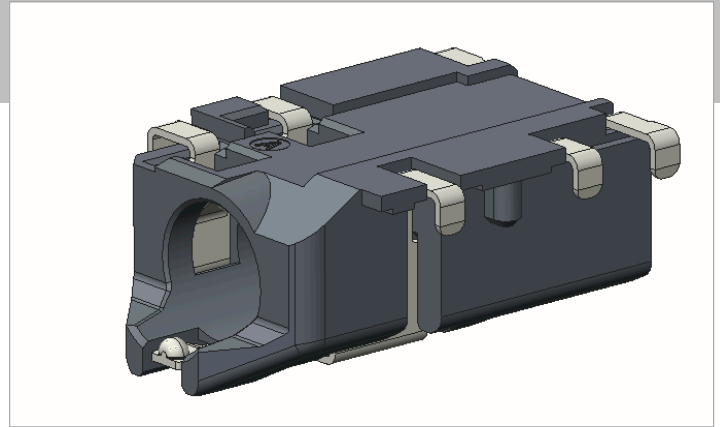


Audio Jack

PART #: AA0-Z6940-A00

KEY FEATURES :

- 13.06L x 9.00W x 5.15H mm
- 6 Pin
- Normal open switch



PCB LAYOUT TOP VIEW
TOLERANCE:±0.05