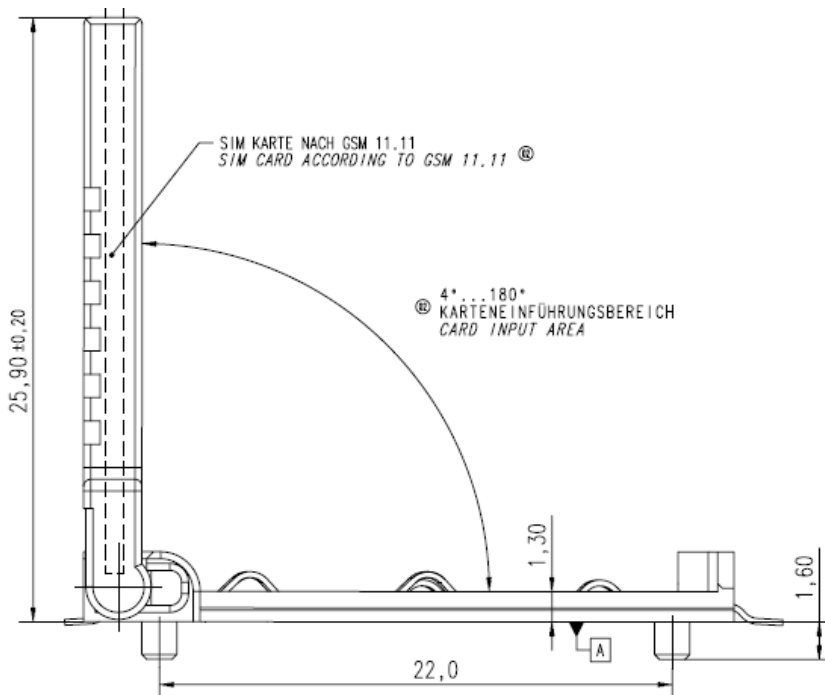
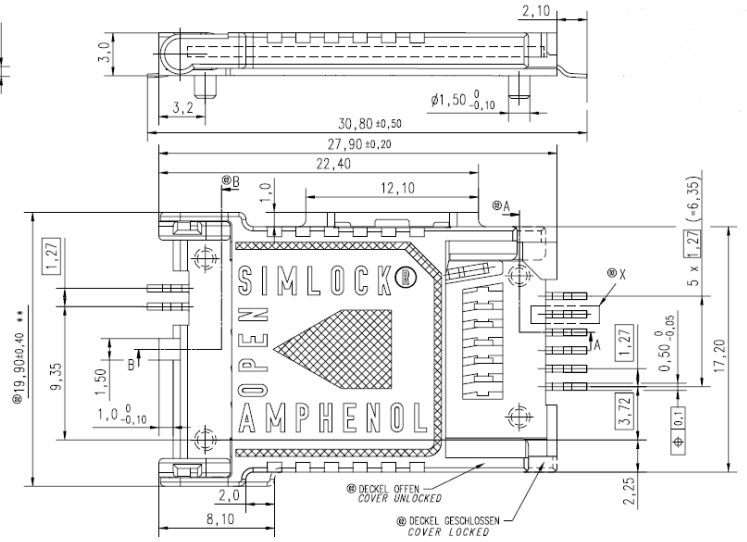
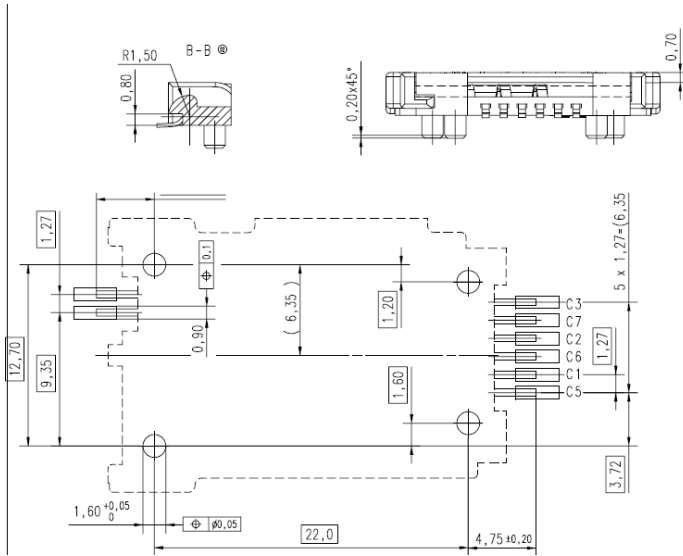
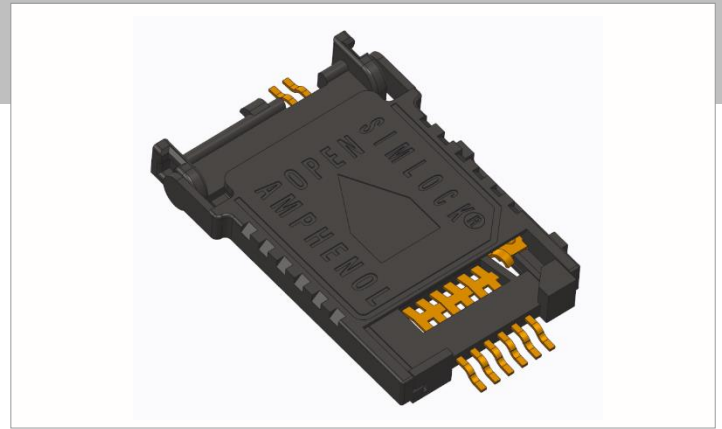


Card reader

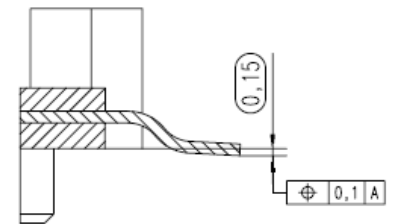
PART #: SMB-Z0850-A00

KEY FEATURES

- 30.80Lx19.90Wx3.15H mm
- With detect switch
- Hinge type
- Contact position acc. To GSM



ⓐ A-A 10:1
LÖTPIN
SOLDER PIN



ⓑ ANSICHT X
10:1
DETAIL X
10:1

