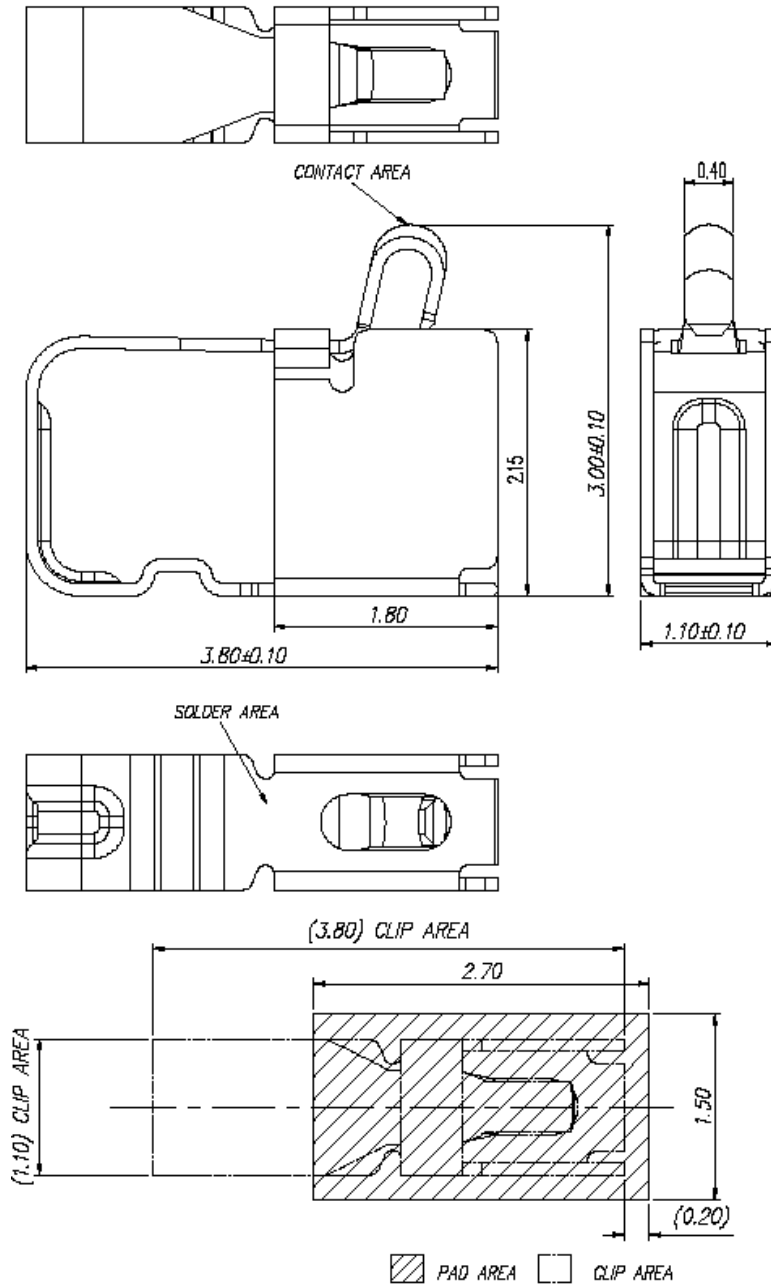
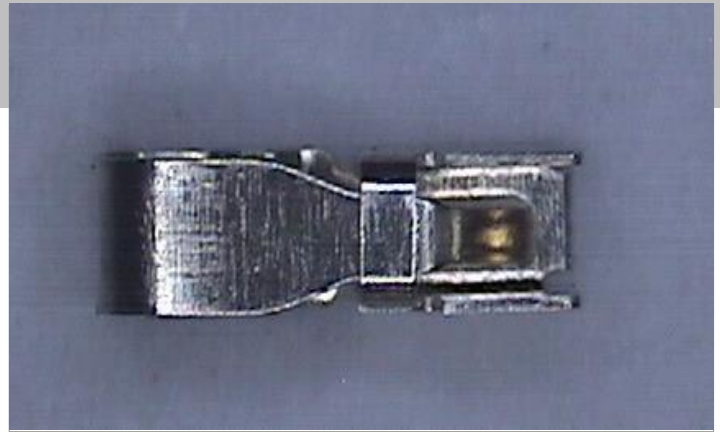


Clip

PART #: SK 201200278 022

KEY FEATURES

- 3.80 L x 1.10W x 3.00H mm
- Forward contact
- Side protected



REFERENCE PCB LAYOUT