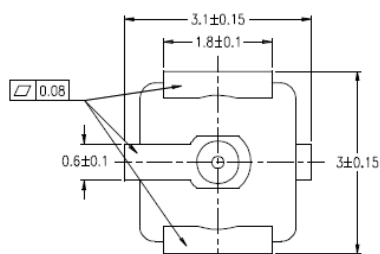
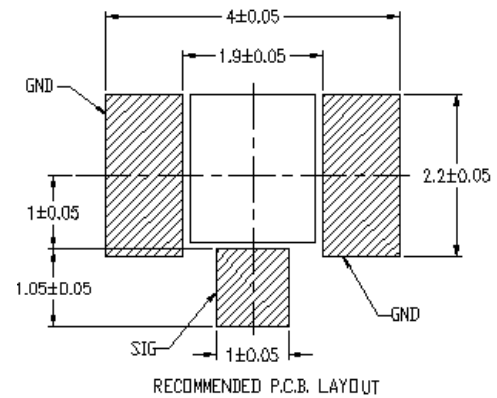
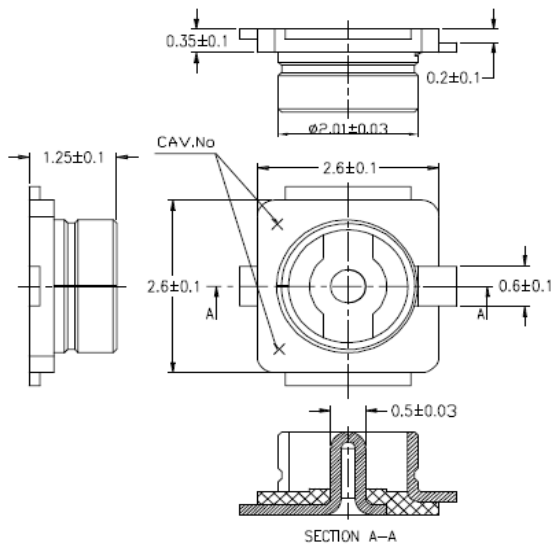
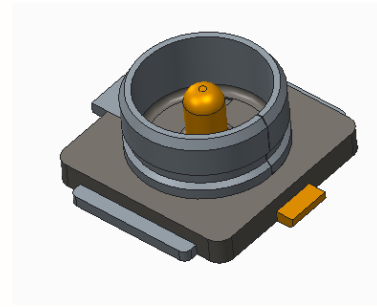


# R Series

PART #: MHC230D RF0-Z3980-A00

## KEY FEATURES

- Frequency: 0-6GH
- VSWR: 1.30 Max@(0 ~ 3GHz)  
1.40 Max @ (3 ~ 6GHz)
- Mating height: 2.50Max mm
- Pad layout: 3 soldering pads



## SOCKET & PLUG ASS'Y

