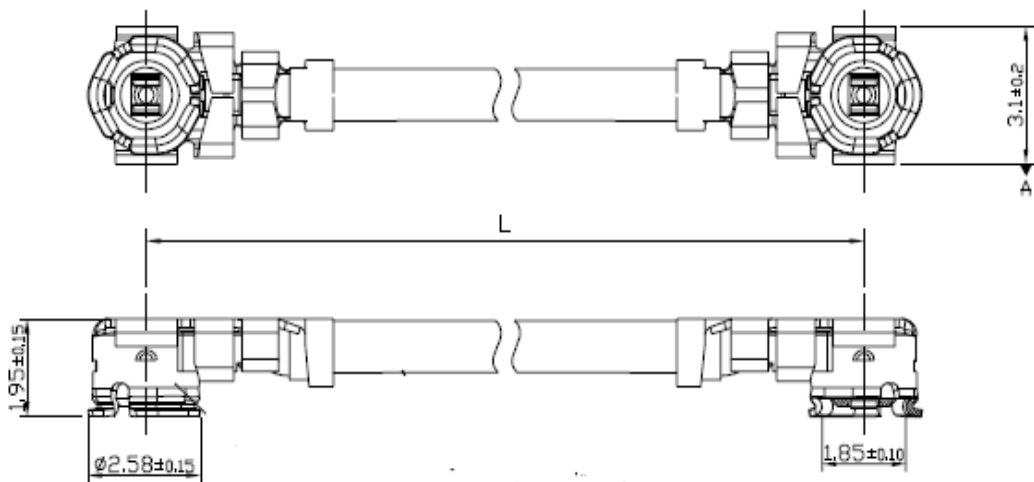


# RF Series

PART #: MHC231 RFJ-ZXXX0-A00

## KEY FEATURES

- Frequency: 0-6GH
- VSWR: 1.30 Max@(0 ~ 3GHz)  
1.40 Max @ (3 ~ 6GHz)
- Mating height: 2.50Max mm
- Cable OD:1.13mm,1.32mm,1.37mm
- Cable color: white, black , gray



◆ SOCKET&PLUG ASS'Y

