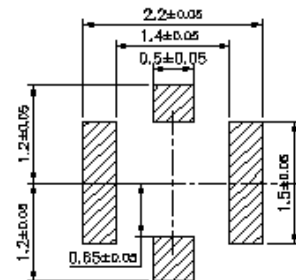
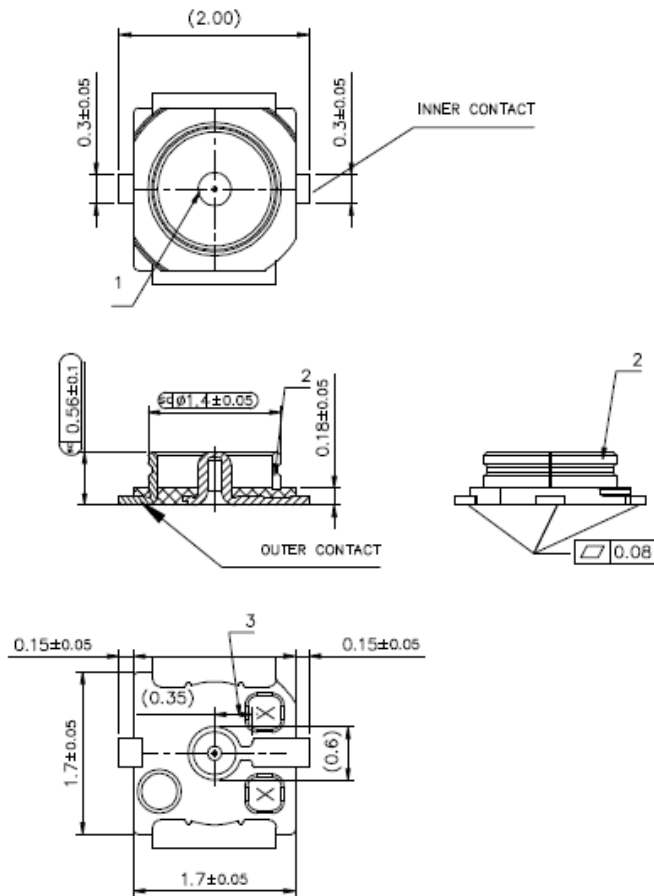
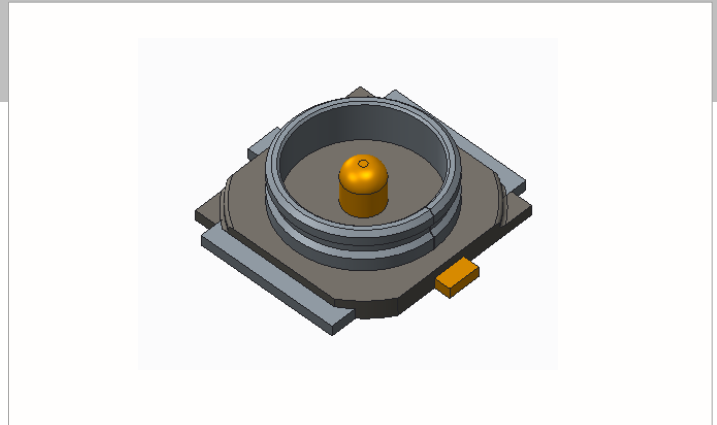


# R Series

PART #: MHC270 RF0-Z4570-A00

## KEY FEATURES

- Frequency: 0-6GH
- VSWR: 1.30 Max@(0 ~ 3GHz)  
1.50 Max @ (3 ~ 6GHz)
- Mating height: 1.00Max mm



RECOMMENDED PCB LAYOUT

